

# Job specification

KITCHEN TYPE	LAY ON
DOOR STYLE	SLAB J-HANDLE & SLAB GOLA
FRAME STYLE	N/A
1ST KITCHEN COLOUR	TIKURILLA V.499
2ND KITCHEN COLOUR	EGGER H3190 ST19
3RD KITCHEN COLOUR	
SHELF DETAIL	STANDARD SQUARE EDGE
CARCASE MATERIAL	EGGER. H3190 ST19, 18mm
CARCASE FINISH	AS ABOVE
PLINTH HEIGHT	150mm
DOOR MATERIAL	22mm MDF & EGGER. H3190 ST19, 18mm
DRAWER MATERIAL	EGGER. H3190 ST19, 18mm
HINGE TYPE	BLUM 155 SOFT CLOSE
HINGE COLOUR	ONYX BLACK
CORNICE TYPE	18mm PAINTED
CORNICE FIXING	TOP FIX

Item Number:	1
--------------	---

Notes.

NO HINGE DRILLINGS ON DOORS OR CARCASE

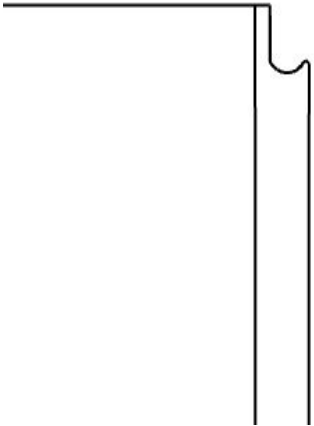
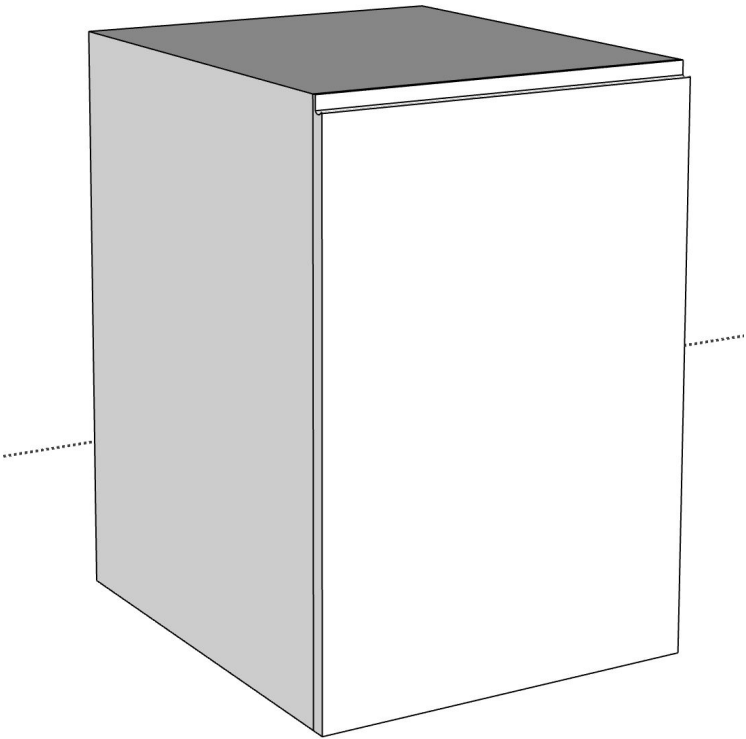
CK TO SUPPLY BIN

D592mm = 570mm CARCASE + 22mm DOOR

FULL WIDTH J-HANDLE

# BIN BASE

Height	720mm
Width	600mm
Depth	592mm



Aperture Height 1	N/A	Plinth Height	150mm
Aperture Height 2	N/A	Carcase Rear Void	36mm
Aperture Height 3	N/A	External Finish	SPRAYED
Door Material	22mm MDF	Frame Type	N/A
Door Rails	N/A	External Colour	
Door Type	SLAB J-HANDLE	Internal Colour	EGGER H3190 ST19
Hinge Side	N/A	Shelf Colour	EGGER H3190 ST19

Item Number:	2
--------------	---

Notes.

# SINK BASE

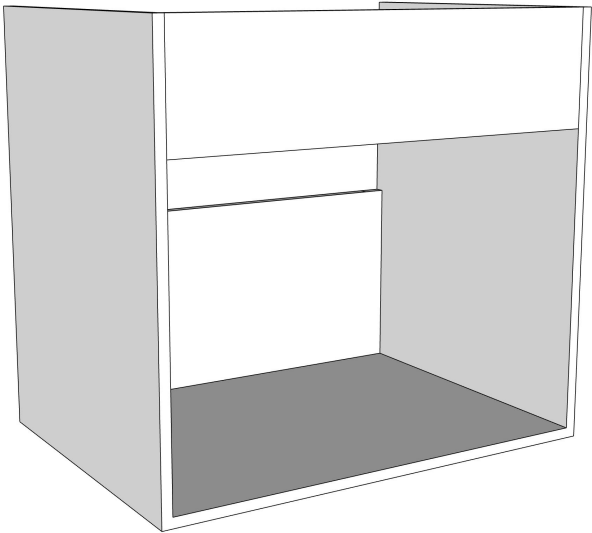
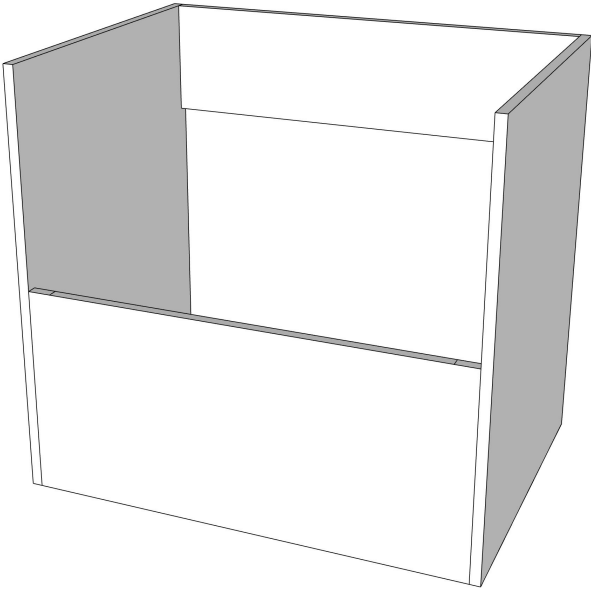
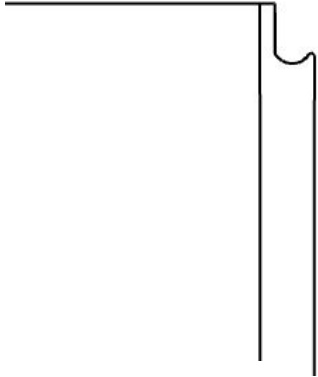
D592mm = 570mm  
CARCASE + 22mm  
DOOR

REMOVAL HALF  
BACK

TOP RAIL FITTED  
VERTICALLY,  
200mm HIGH

FULL WIDTH  
J-HANDLES

Height	720mm
Width	800mm
Depth	592mm



Aperture Height 1		Plinth Height	150mm
Aperture Height 2		Carcase Rear Void	36mm
Aperture Height 3		External Finish	SPRAYED
Door Material	22mm MDF	Frame Type	N/A
Door Rails	N/A	External Colour	
Door Type	SLAB J-HANDLE	Internal Colour	EGGER H3190 ST19
Hinge Side	BOTH	Shelf COlour	EGGER H3190 ST19

Item Number:	3
--------------	---

Notes.

22mm DOOR

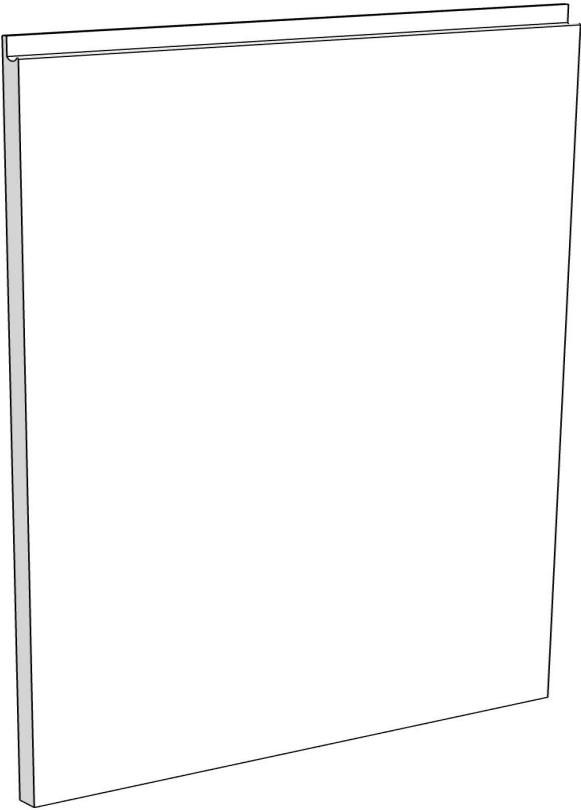
DOOR ONLY, FOR INTEGRATED DISHWASHER

FULL WIDTH J-HANDLE

NO HINGE DRILLINGS ON DOOR

# DISHWASHER DOOR

Height	715mm
Width	596mm
Depth	22mm



Aperture Height 1		Plinth Height	150mm
Aperture Height 2		Carcase Rear Void	
Aperture Height 3		External Finish	
Door Material	22mm MDF	Frame Type	
Door Rails	N/A	External Colour	
Door Type	SLAB J-HANDLE	Internal Colour	
Hinge Side	N/A	Shelf Colour	

Item Number:	4
--------------	---

Notes.

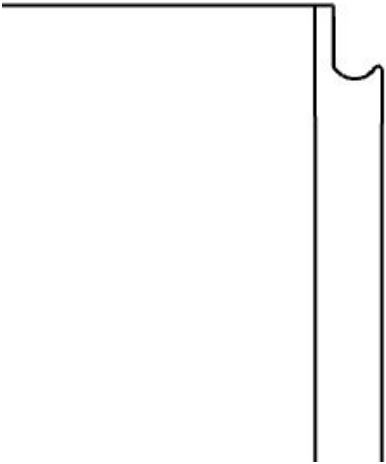
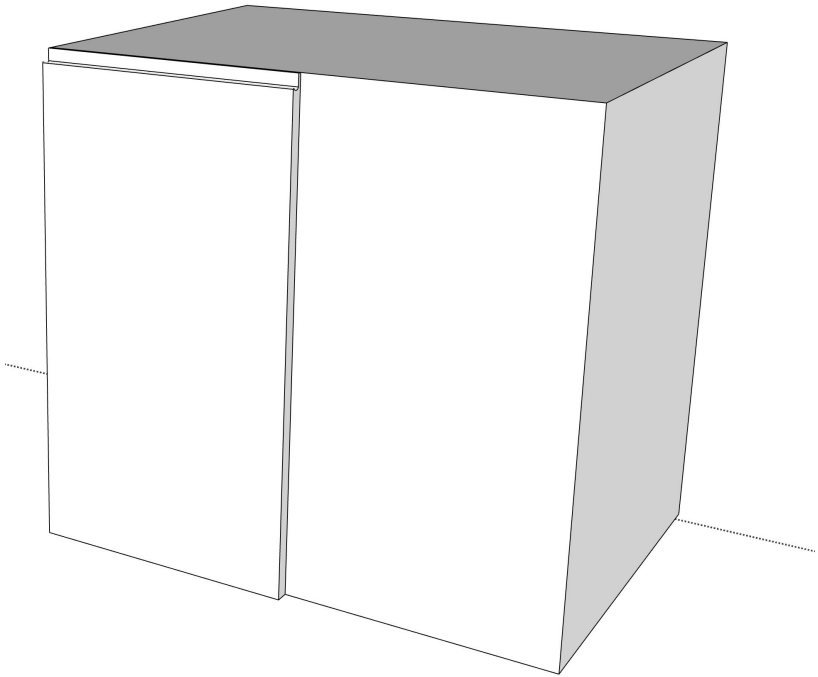
# LH CORNER BASE WITH BLANKING PANEL

D592mm = 570mm  
CARCASE + 22mm  
DOOR

FULL WIDTH  
J-HANDLE

400 DOOR 800  
CARCASE

Height	720mm
Width	400/800mm
Depth	592mm



Aperture Height 1		Plinth Height	150mm
Aperture Height 2		Carcase Rear Void	36mm
Aperture Height 3		External Finish	SPRAYED
Door Material	22mm MDF	Frame Type	N/A
Door Rails	N/A	External Colour	
Door Type	SLAB J-HANDLE	Internal Colour	EGGER H3190 ST19
Hinge Side	RIGHT	Shelf Colour	EGGER H3190 ST19

Item Number:	5
--------------	---

Notes.

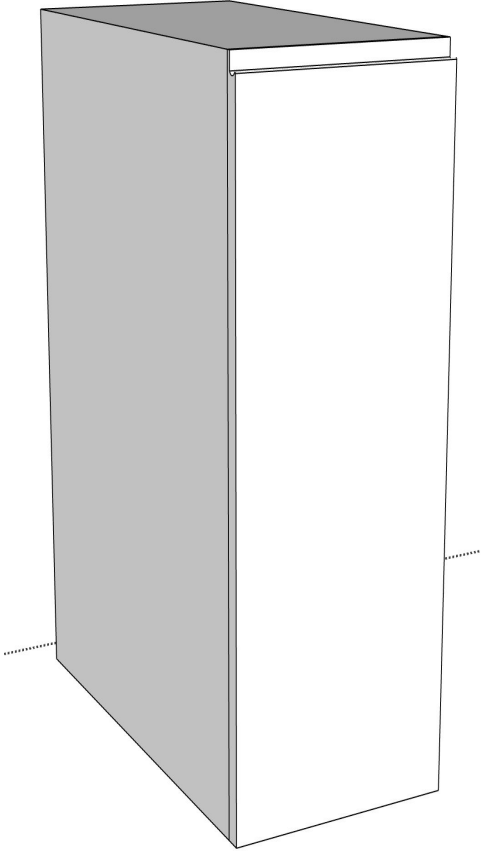
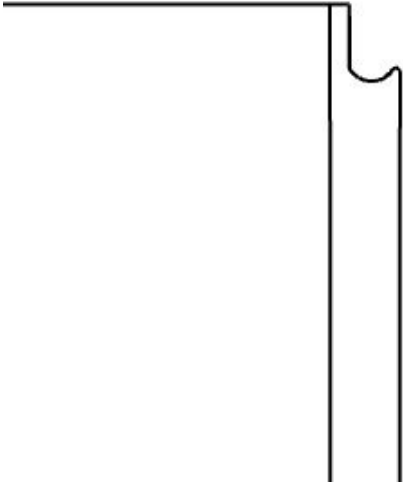
D592mm = 570mm CARCASE + 22mm DOOR

FULL WIDTH J-HANDLE

NO HINGE DRILLINGS ON DOORS OR CARCASE

# BASE PULL OUT

Height	720mm
Width	200mm
Depth	592mm



Aperture Height 1		Plinth Height	150mm
Aperture Height 2		Carcase Rear Void	36mm
Aperture Height 3		External Finish	SPRAYED
Door Material	22mm MDF	Frame Type	N/A
Door Rails	N/A	External Colour	
Door Type	SLAB J-HANDLE	Internal Colour	EGGER H3190 ST19
Hinge Side	N/A	Shelf Colour	EGGER H3190 ST19

Item Number:	6
--------------	---

**Notes.**

D592mm = 570mm CARCASE + 22mm DOOR

# 2 DOOR LARDER

FULL LENGTH J-HANDLES

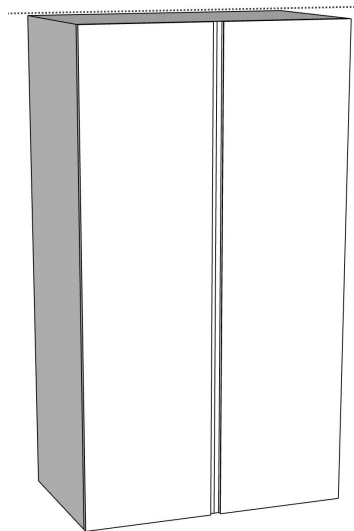
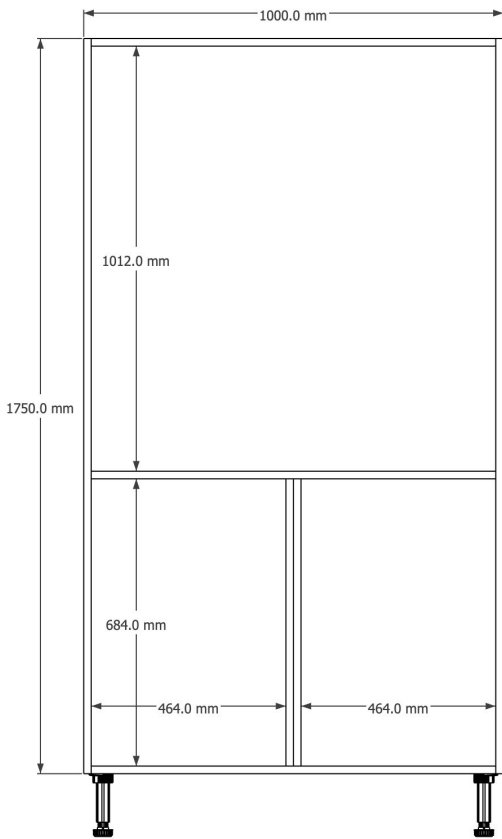
DOUBLE THICKNESS CENTRAL PARTITION & TOP PANEL TO DIMENSIONS BELOW, SET BACK 10mm FROM FRONT OF CARCASE

NO HINGE DRILLINGS ON DOORS OR CARCASE

PLEASE SUPPLY 8 x 155 DEGREE HINGES & MOUNTING PLATES

PLEASE SUPPLY 3 X ADJUSTABLE SHELVES @ 200mm DEEP

Height	1750mm
Width	1000mm
Depth	592mm



Aperture Height 1		Plinth Height	150mm
Aperture Height 2		Carcase Rear Void	36mm
Aperture Height 3		External Finish	SPRAYED
Door Material	22mm MDF	Frame Type	N/A
Door Rails	N/A	External Colour	
Door Type	SLAB J-HANDLE	Internal Colour	EGGER H3190 ST19
Hinge Side	BOTH	Shelf Colour	EGGER H3190 ST19

Item Number:	7
--------------	---

Notes.

# TALL OVEN HOUSING

D592mm = 570mm  
CARCASE + 22mm DOOR

FULL WIDTH J-HANDLES

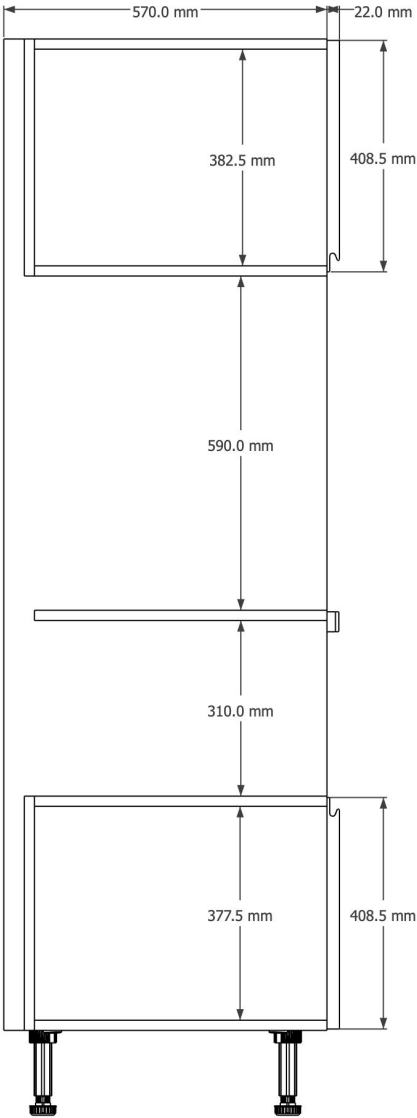
TOP DOOR, HINGED  
ABOVE WITH A STAY

BOTTOM DRAWER, MFC  
TO MATCH CARCASE  
MATERIAL

DOOR HEIGHTS =  
408.5mm

PLEASE INCLUDE 1 X  
H35mm x W600mm x  
T18mm STRIP OF  
PAINTED MDF, BFBS

Height	1750mm
Width	600mm
Depth	592mm



Aperture Height 1	382.5mm	Plinth Height	150mm
Aperture Height 2	918mm	Carcase Rear Void	36mm
Aperture Height 3	377.5mm	External Finish	SPRAYED
Door Material	22mm MDF	Frame Type	N/A
Door Rails	N/A	External Colour	
Door Type	SLAB J-HANDLE	Internal Colour	EGGER H3190 ST19
Hinge Side	TOP = TOP BOTTOM = DRAWER	Shelf Colour	EGGER H3190 ST19



Item Number:	8
--------------	---

Notes.

# TALL OVEN HOUSING

D592mm = 570mm  
CARCASE + 22mm DOOR

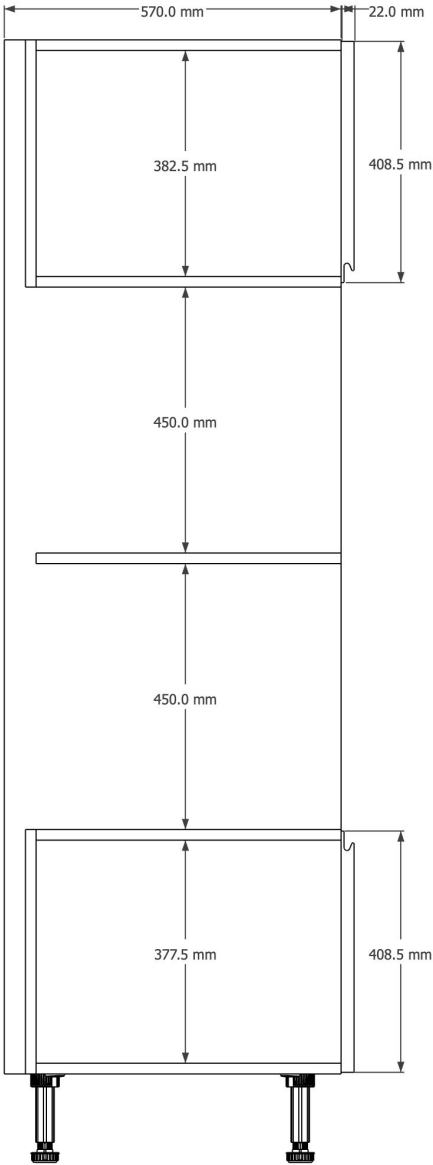
FULL WIDTH J-HANDLES

TOP DOOR, HINGED  
ABOVE WITH A STAY

BOTTOM DRAWER, MFC  
TO MATCH CARCASE  
MATERIAL

DOOR HEIGHTS =  
408.5mm

Height	1750mm
Width	600mm
Depth	592mm



Aperture Height 1	382.5mm	Plinth Height	150mm
Aperture Height 2	918mm	Carcase Rear Void	36mm
Aperture Height 3	377.5mm	External Finish	SPRAYED
Door Material	22mm MDF	Frame Type	N/A
Door Rails	N/A	External Colour	
Door Type	SLAB J-HANDLE	Internal Colour	EGGER H3190 ST19
Hinge Side	TOP = TOP BOTTOM = DRAWER	Shelf Colour	EGGER H3190 ST19

Item Number:	9
--------------	---

Notes.

# 2 DOOR LARDER

D592mm = 570mm CARCASE + 22mm DOOR

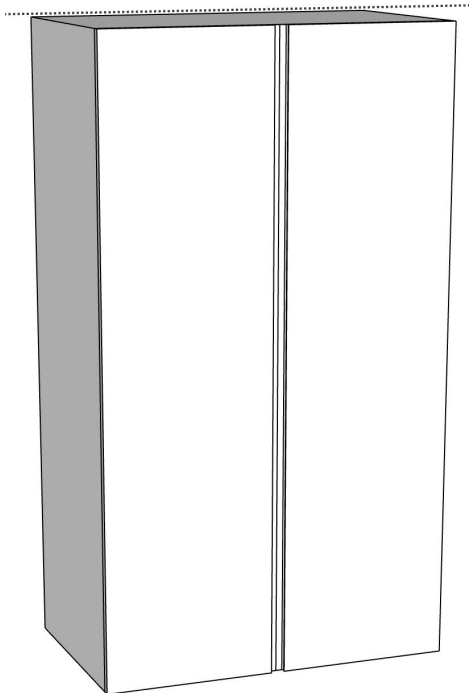
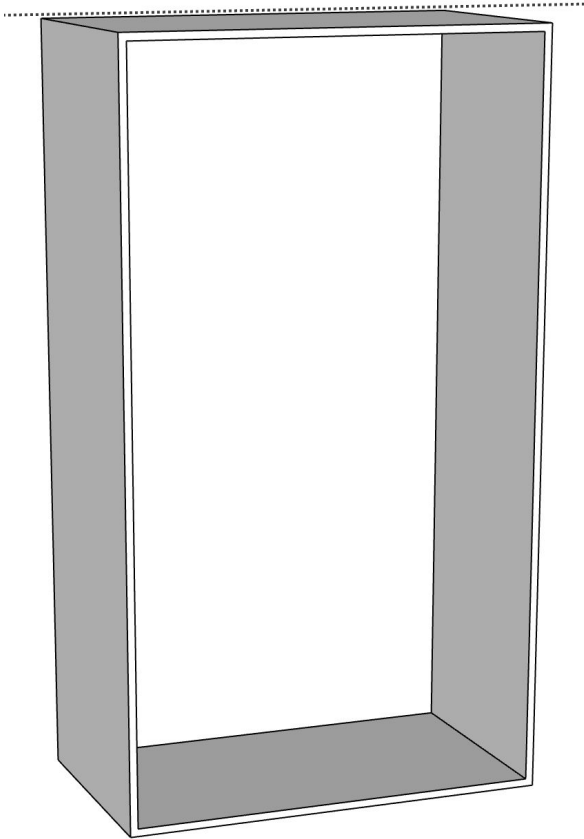
FULL LENGTH J-HANDLES

NO HINGE DRILLINGS ON DOORS OR CARCASE

PLEASE SUPPLY 8 x 155 DEGREE HINGES & MOUNTING PLATES

NO SHELVES

Height	1750mm
Width	1000mm
Depth	592mm



Aperture Height 1		Plinth Height	150mm
Aperture Height 2		Carcase Rear Void	36mm
Aperture Height 3		External Finish	SPRAYED
Door Material	22mm MDF	Frame Type	N/A
Door Rails	N/A	External Colour	
Door Type	SLAB J-HANDLE	Internal Colour	EGGER H3190 ST19
Hinge Side	BOTH	Shelf COlour	EGGER H3190 ST19

Item Number:	10
--------------	----

Notes.

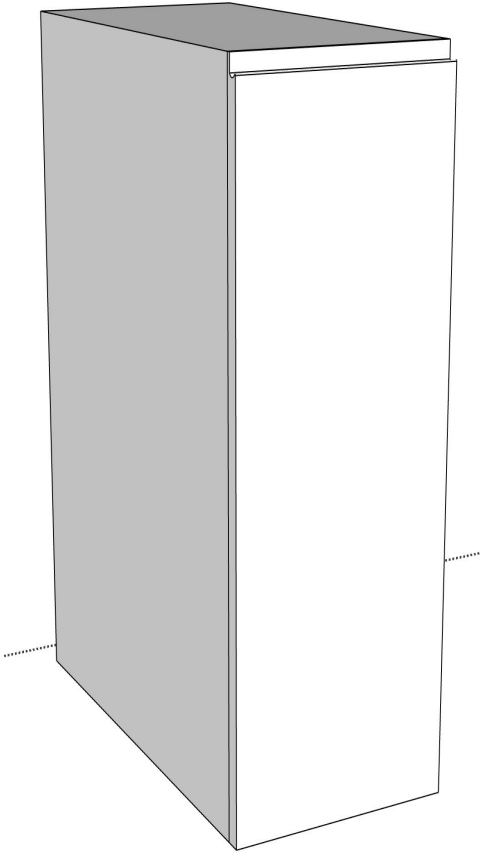
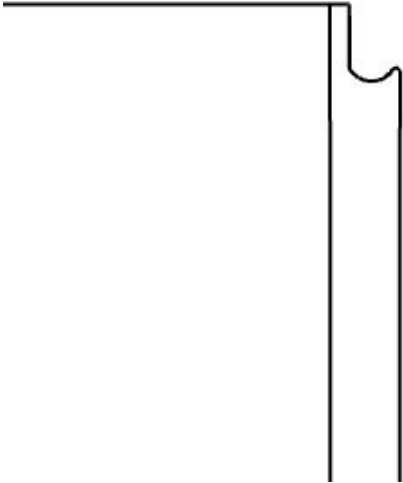
D592mm = 570mm CARCASE + 22mm DOOR

FULL WIDTH J-HANDLE

NO HINGE DRILLINGS ON DOORS OR CARCASE

# BASE PULL OUT

Height	720mm
Width	200mm
Depth	592mm



Aperture Height 1		Plinth Height	150mm
Aperture Height 2		Carcase Rear Void	36mm
Aperture Height 3		External Finish	SPRAYED
Door Material	22mm MDF	Frame Type	N/A
Door Rails	N/A	External Colour	
Door Type	SLAB J-HANDLE	Internal Colour	EGGER H3190 ST19
Hinge Side	N/A	Shelf Colour	EGGER H3190 ST19

Item Number:	11
--------------	----

Notes.

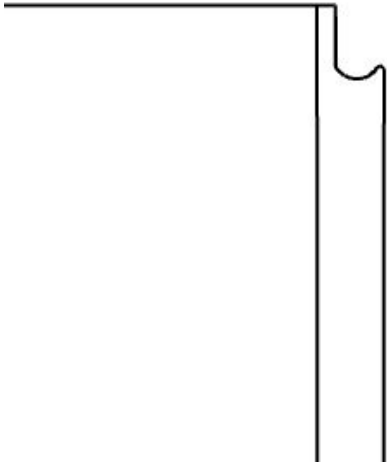
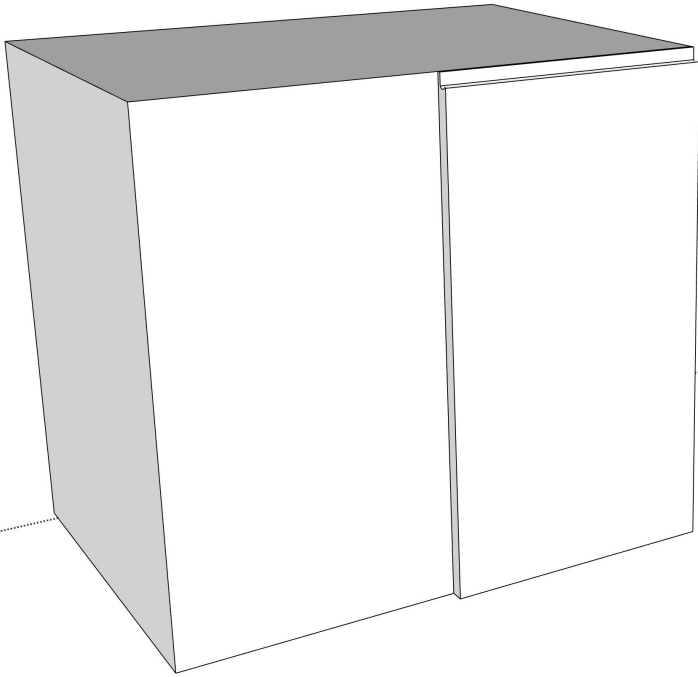
# RH CORNER BASE WITH BLANKING PANEL

D592mm = 570mm  
CARCASE + 22mm  
DOOR

FULL WIDTH  
J-HANDLE

400 DOOR 800  
CARCASE

Height	720mm
Width	400/800mm
Depth	592mm



Aperture Height 1		Plinth Height	150mm
Aperture Height 2		Carcase Rear Void	36mm
Aperture Height 3		External Finish	SPRAYED
Door Material	22mm MDF	Frame Type	N/A
Door Rails	N/A	External Colour	
Door Type	SLAB J-HANDLE	Internal Colour	EGGER H3190 ST19
Hinge Side	LEFT	Shelf Colour	EGGER H3190 ST19

Item Number:	12
--------------	----

Notes.

# 1 DOOR BASE

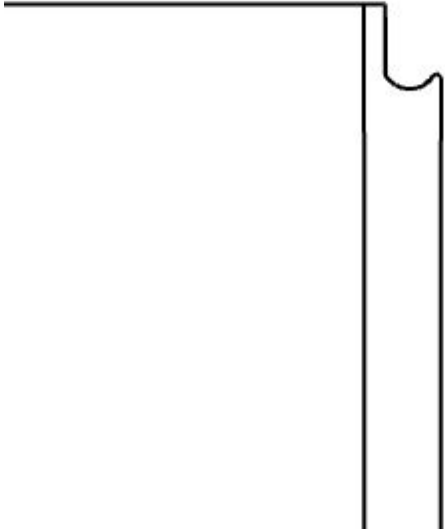
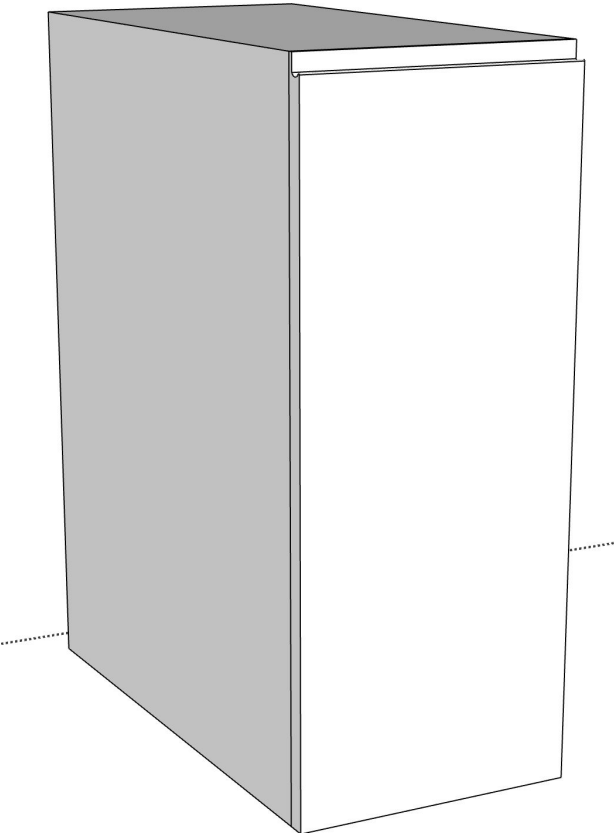
D592mm = 570mm CARCASE + 22mm DOOR

FULL WIDTH J-HANDLE

NO HINGE DRILLINGS ON DOORS OR CARCASE

PLEASE SUPPLY 2 X 155 DEGREE HINGES & MOUNTING PLATES

Height	720mm
Width	300mm
Depth	592mm



Aperture Height 1		Plinth Height	150mm
Aperture Height 2		Carcase Rear Void	36mm
Aperture Height 3		External Finish	SPRAYED
Door Material	22mm MDF	Frame Type	N/A
Door Rails	N/A	External Colour	
Door Type	SLAB J-HANDLE	Internal Colour	EGGER H3190 ST19
Hinge Side		Shelf Colour	EGGER H3190 ST19

Item Number:	13
--------------	----

Notes.

# 1 DOOR BASE

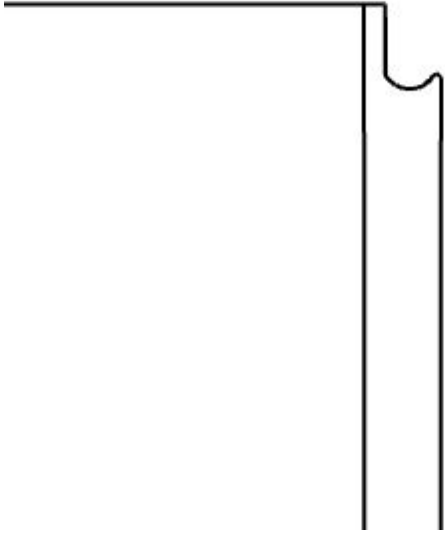
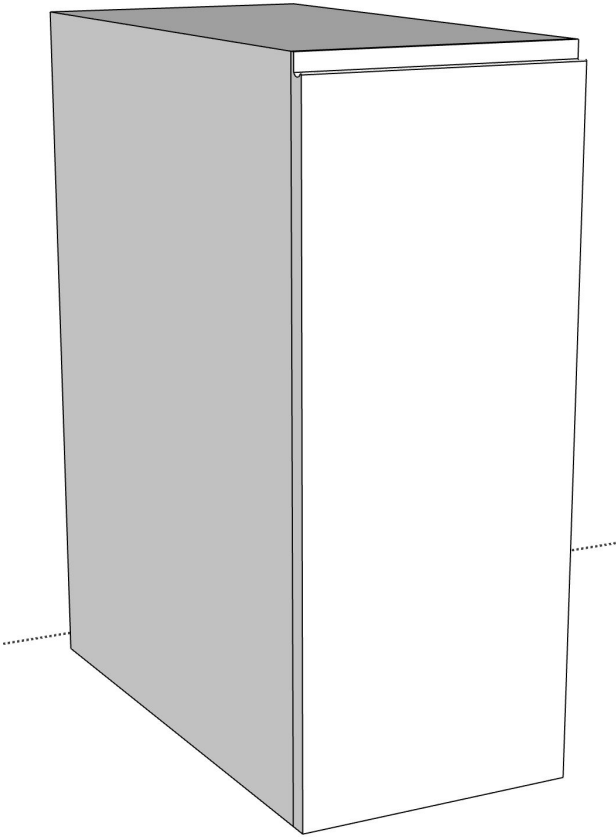
D592mm = 570mm CARCASE + 22mm DOOR

FULL WIDTH J-HANDLE

NO HINGE DRILLINGS ON DOORS OR CARCASE

PLEASE SUPPLY 2 X 155 DEGREE HINGES & MOUNTING PLATES

Height	720mm
Width	300mm
Depth	592mm



Aperture Height 1		Plinth Height	150mm
Aperture Height 2		Carcase Rear Void	36mm
Aperture Height 3		External Finish	SPRAYED
Door Material	22mm MDF	Frame Type	N/A
Door Rails	N/A	External Colour	
Door Type	SLAB J-HANDLE	Internal Colour	EGGER H3190 ST19
Hinge Side		Shelf Colour	EGGER H3190 ST19

Item Number:	14
--------------	----

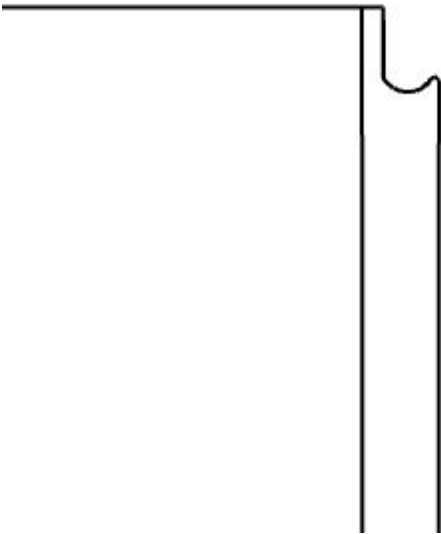
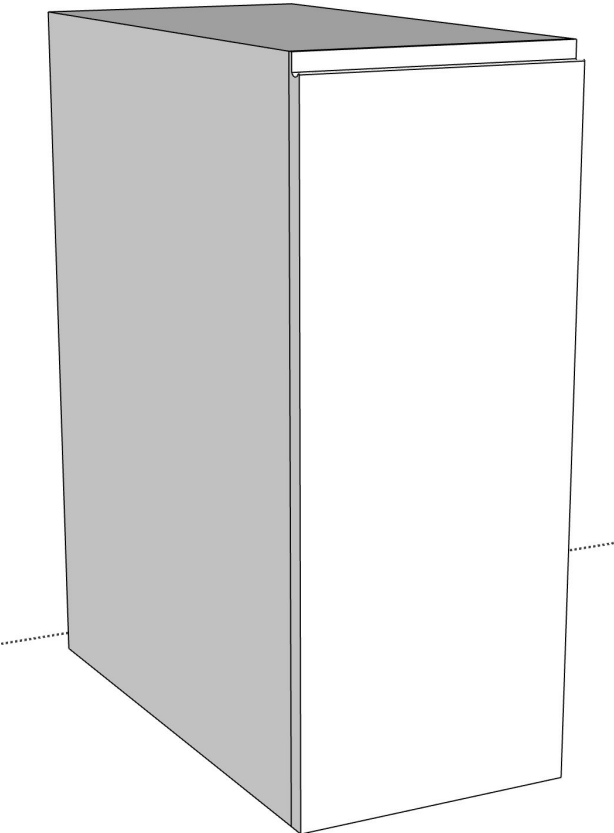
Notes.

# 1 DOOR BASE

D592mm = 570mm  
CARCASE + 22mm  
DOOR

FULL WIDTH  
J-HANDLE

Height	720mm
Width	300mm
Depth	592mm



Aperture Height 1		Plinth Height	150mm
Aperture Height 2		Carcase Rear Void	36mm
Aperture Height 3		External Finish	SPRAYED
Door Material	22mm MDF	Frame Type	N/A
Door Rails	N/A	External Colour	
Door Type	SLAB J-HANDLE	Internal Colour	EGGER H3190 ST19
Hinge Side	RIGHT	Shelf Colour	EGGER H3190 ST19

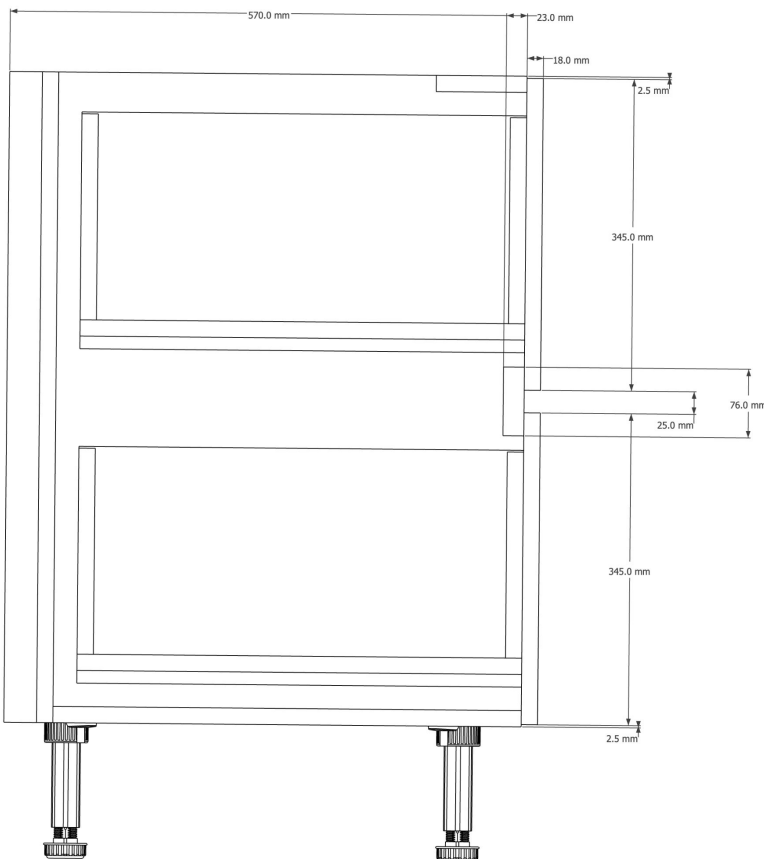
Item Number: 15

# 2 DRAWER BASE

Height 720mm

Width 900mm

Depth 588mm



## Notes.

D588mm = 570mm CARCASE + 18mm DOOR

GOLA HANDLE:  
HAFELE - 126.36.714

MFC DRAWER BOXES

FULL EXTENSION SOFT  
CLOSE

DRAWER FRONTS:  
HORIZONTAL GRAIN, ENSURE  
GRAIN LINES UP ACROSS  
UNITS 15,16 & 17

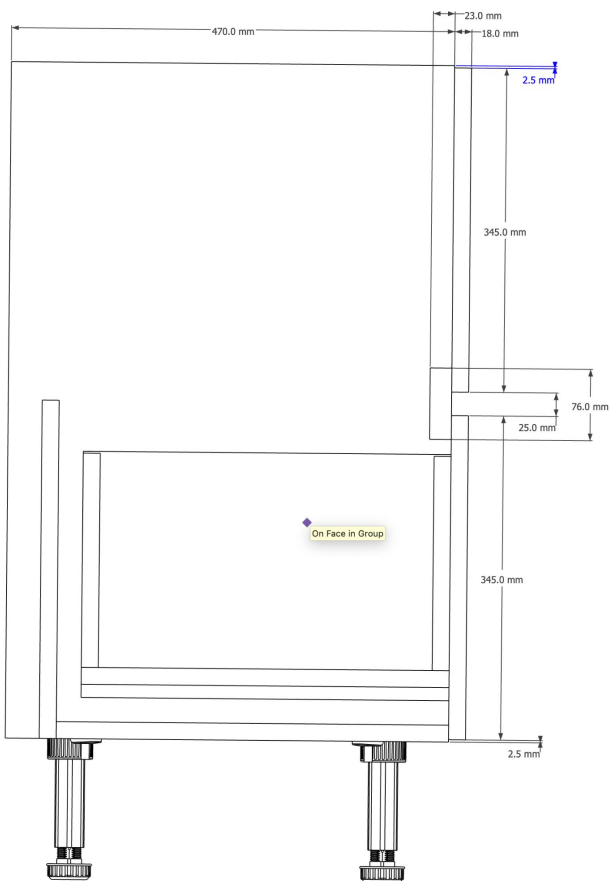
Aperture Height 1		Plinth Height	150mm
Aperture Height 2		Carcase Rear Void	36mm
Aperture Height 3		External Finish	EGGER H3190 ST19
Door Material	EGGER H3190 ST19 18mm	Frame Type	N/A
Door Rails	N/A	External Colour	EGGER H3190 ST19
Door Type	SLAB GOLA	Internal Colour	EGGER H3190 ST19
Hinge Side	N/A	Shelf Colour	



Item Number:	16
--------------	----

# 2 DRAWER HOB BASE

Height	720mm
Width	900mm
Depth	488mm



## Notes.

D488mm = 470mm CARCASE +  
18mm DOOR

GOLA HANDLE:  
HAFELE - 126.36.714

MFC DRAWER BOX

FULL EXTENSION SOFT CLOSE

HALF HEIGHT BACK, NO TOP TO  
CARCASE

TOP DRAWER FRONT FIXED TO  
CARCASE

DRAWER FRONTS: HORIZONTAL  
GRAIN, ENSURE GRAIN LINES UP  
ACROSS UNITS 15,16 & 17

Aperture Height 1		Plinth Height	150mm
Aperture Height 2		Carcass Rear Void	36mm
Aperture Height 3		External Finish	EGGER H3190 ST19
Door Material	EGGER H3190 ST19 18mm	Frame Type	N/A
Door Rails	N/A	External Colour	EGGER H3190 ST19
Door Type	SLAB GOLA	Internal Colour	EGGER H3190 ST19
Hinge Side	N/A	Shelf Colour	

Notes.

D588mm = 570mm CARCASE  
+ 18mm DOOR

GOLA HANDLE:  
HAFELE - 126.36.714

MFC DRAWER BOXES

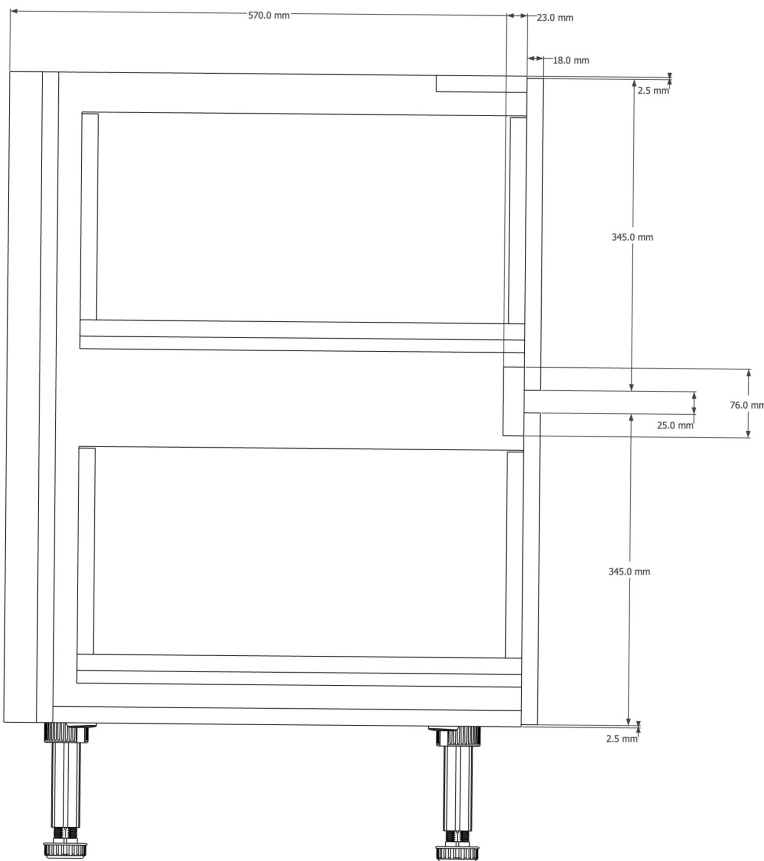
FULL EXTENSION SOFT  
CLOSE

DRAWER FRONTS:  
HORIZONTAL GRAIN,  
ENSURE GRAIN LINES UP  
ACROSS UNITS 15,16 & 17

Item Number:	17
--------------	----

# 2 DRAWER BASE

Height	720mm
Width	900mm
Depth	588mm



Aperture Height 1		Plinth Height	150mm
Aperture Height 2		Carcase Rear Void	36mm
Aperture Height 3		External Finish	EGGER H3190 ST19
Door Material	EGGER H3190 ST19 18mm	Frame Type	N/A
Door Rails	N/A	External Colour	EGGER H3190 ST19
Door Type	SLAB GOLA	Internal Colour	EGGER H3190 ST19
Hinge Side	N/A	Shelf Colour	

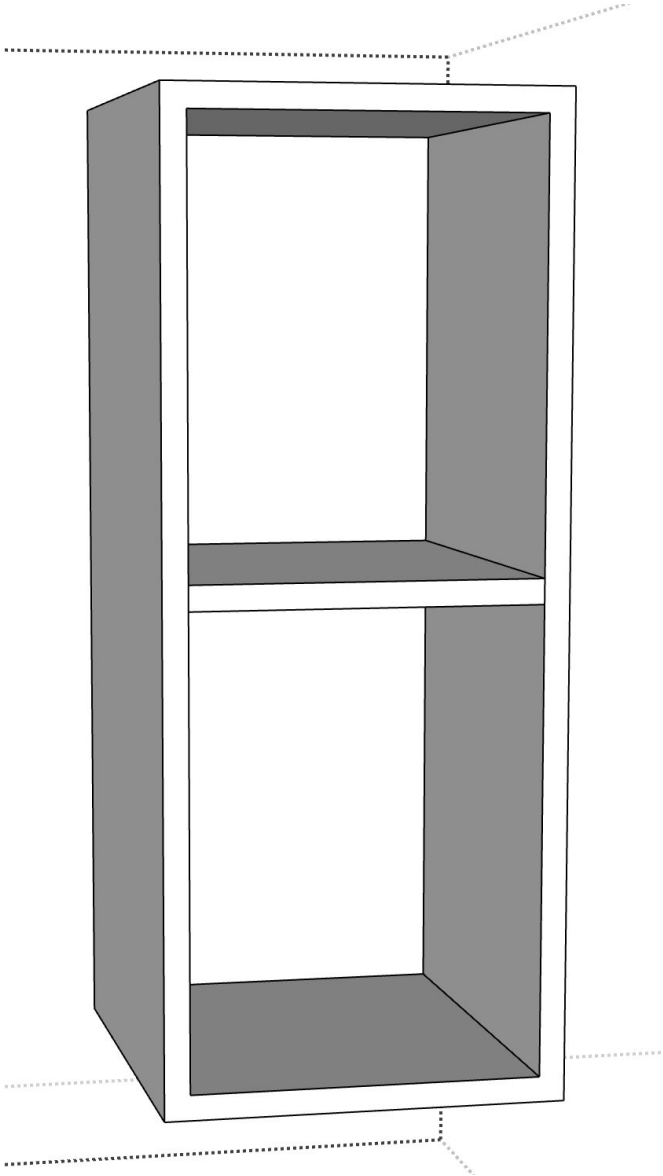
Item Number:	18
--------------	----

Notes.

# OPEN BASE

PLEASE INCLUDE  
1 X ADJUSTABLE  
SHELF

Height	720mm
Width	300mm
Depth	354mm



Aperture Height 1		Plinth Height	150mm
Aperture Height 2		Carcase Rear Void	36mm
Aperture Height 3		External Finish	EGGER H3190 ST19
Door Material		Frame Type	N/A
Door Rails		External Colour	EGGER H3190 ST19
Door Type		Internal Colour	EGGER H3190 ST19
Hinge Side		Shelf COlour	EGGER H3190 ST19

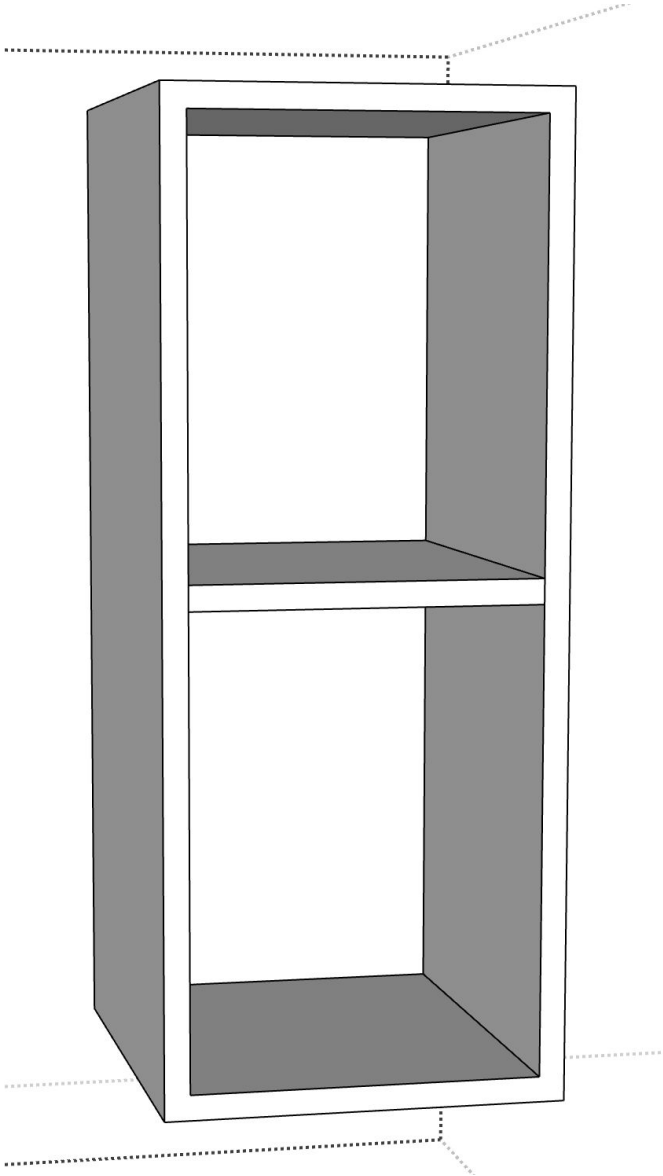
Item Number:	19
--------------	----

Notes.

# OPEN BASE

PLEASE INCLUDE  
1 X ADJUSTABLE  
SHELF

Height	720mm
Width	300mm
Depth	354mm



Aperture Height 1		Plinth Height	150mm
Aperture Height 2		Carcase Rear Void	36mm
Aperture Height 3		External Finish	EGGER H3190 ST19
Door Material		Frame Type	N/A
Door Rails		External Colour	EGGER H3190 ST19
Door Type		Internal Colour	EGGER H3190 ST19
Hinge Side		Shelf COlour	EGGER H3190 ST19

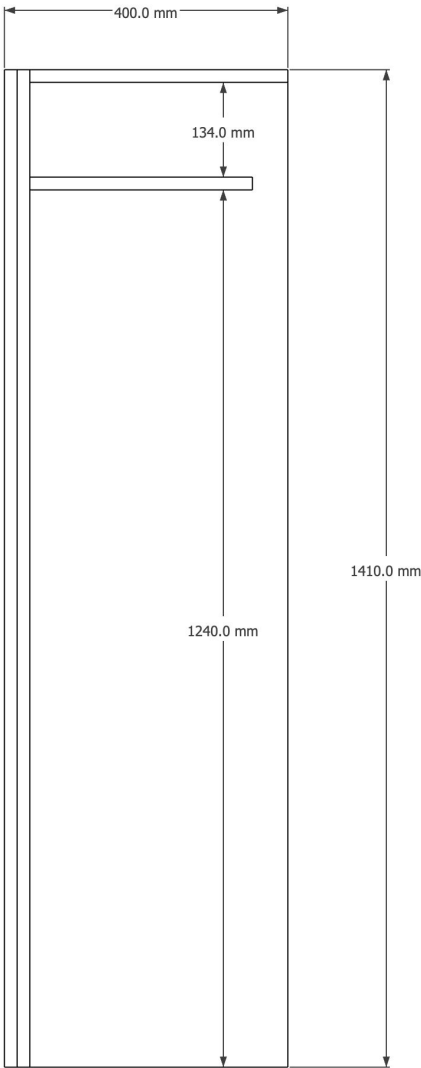
Item Number:	20
--------------	----

Notes.

# OPEN DRESSER

FIXED SHELF AT MEASUREMENTS SHOWN BELOW

Height	1410mm
Width	700mm
Depth	400mm



Aperture Height 1		Plinth Height	
Aperture Height 2		Carcase Rear Void	18mm
Aperture Height 3		External Finish	N/A
Door Material		Frame Type	N/A
Door Rails		External Colour	
Door Type		Internal Colour	EGGER H3190 ST19
Hinge Side		Shelf Colour	EGGER H3190 ST19

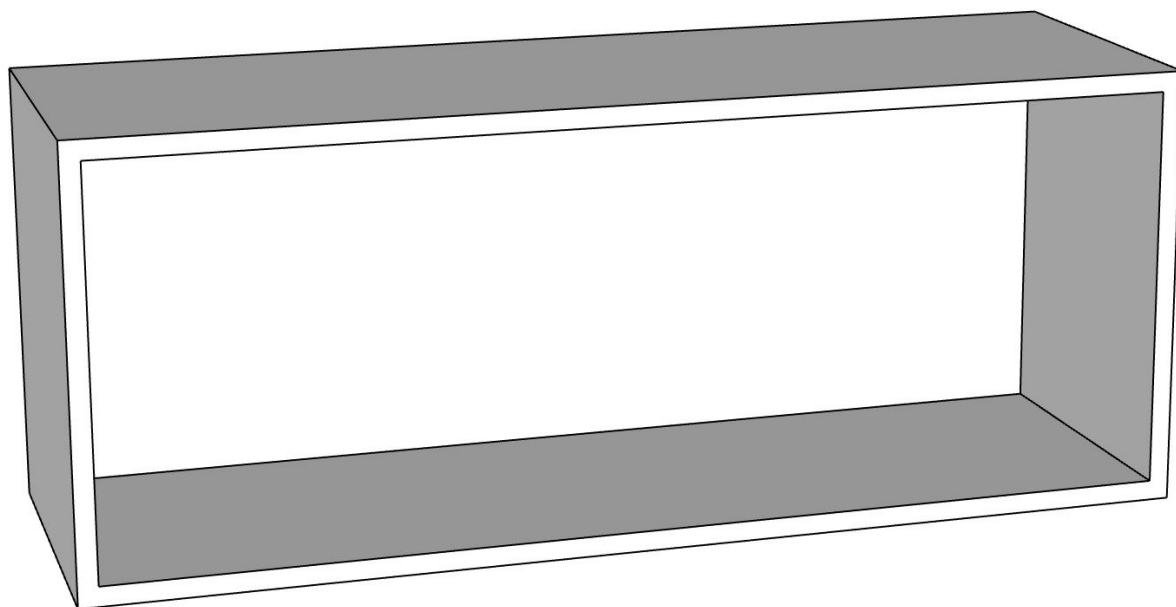
Item Number:	21
--------------	----

Notes.

NO HINGE DRILLINGS ON  
CARCASE

# OPEN TOP BOX

Height	400mm
Width	1000mm
Depth	336mm



Aperture Height 1		Plinth Height	
Aperture Height 2		Carcase Rear Void	18mm
Aperture Height 3		External Finish	N/A
Door Material		Frame Type	N/A
Door Rails		External Colour	
Door Type		Internal Colour	EGGER H3190 ST19
Hinge Side		Shelf Colour	EGGER H3190 ST19

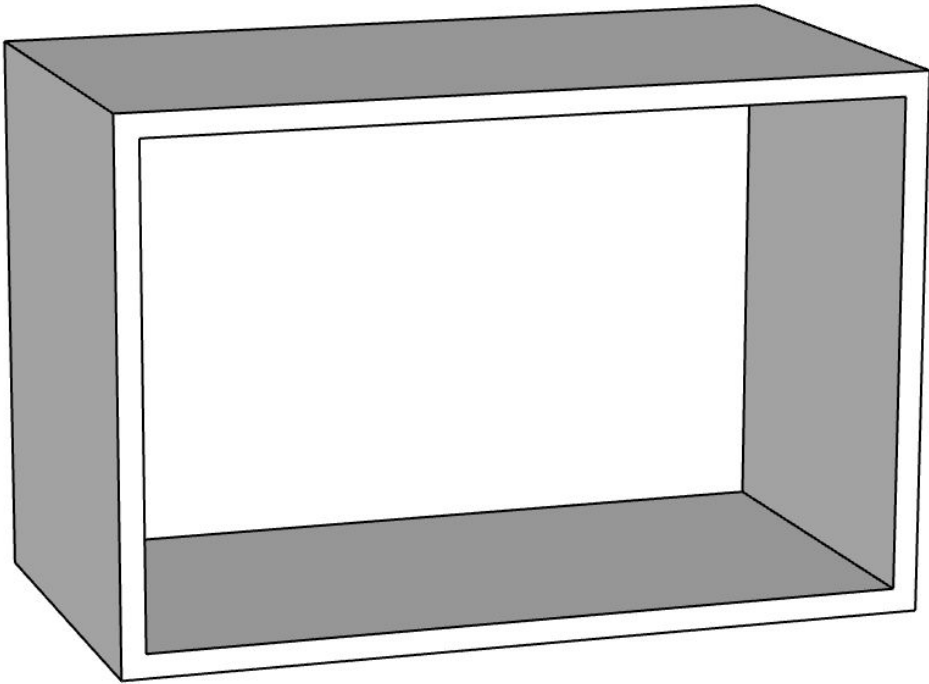
Item Number:	22
--------------	----

Notes.

# OPEN TOP BOX

NO HINGE  
DRILLINGS ON  
CARCASE

Height	400mm
Width	600mm
Depth	336mm



Aperture Height 1		Plinth Height	
Aperture Height 2		Carcase Rear Void	18mm
Aperture Height 3		External Finish	N/A
Door Material		Frame Type	N/A
Door Rails		External Colour	
Door Type		Internal Colour	EGGER H3190 ST19
Hinge Side		Shelf Colour	EGGER H3190 ST19

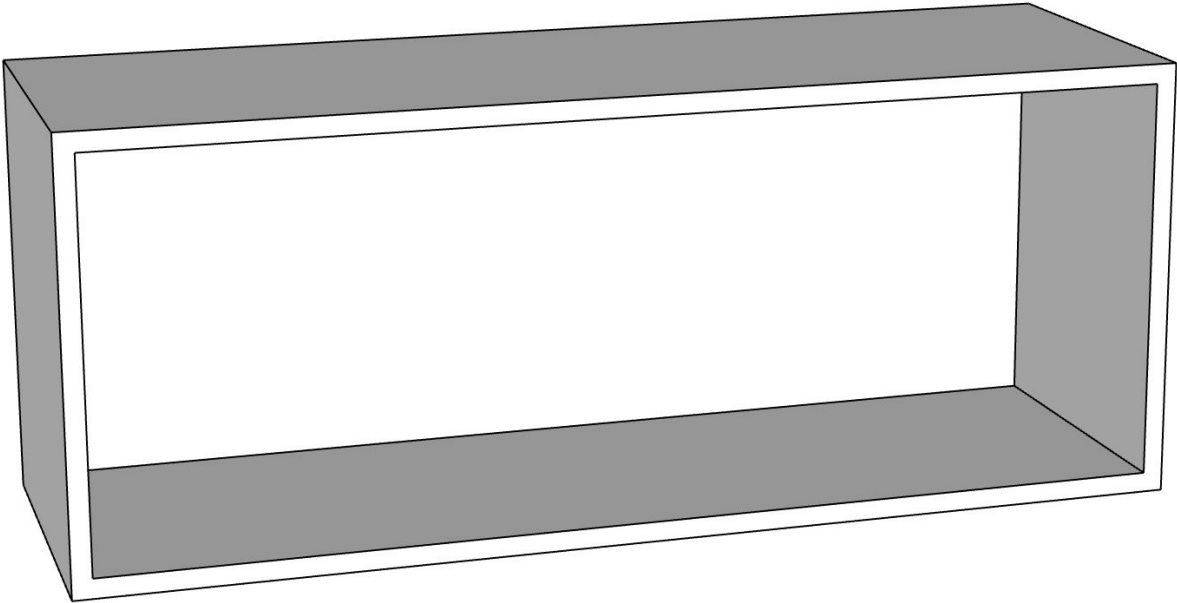
Item Number:	23
--------------	----

Notes.

# OPEN TOP BOX

NO HINGE  
DRILLINGS ON  
CARCASE

Height	400mm
Width	989mm
Depth	336mm



Aperture Height 1		Plinth Height	
Aperture Height 2		Carcase Rear Void	18mm
Aperture Height 3		External Finish	N/A
Door Material		Frame Type	N/A
Door Rails		External Colour	
Door Type		Internal Colour	EGGER H3190 ST19
Hinge Side		Shelf Colour	EGGER H3190 ST19



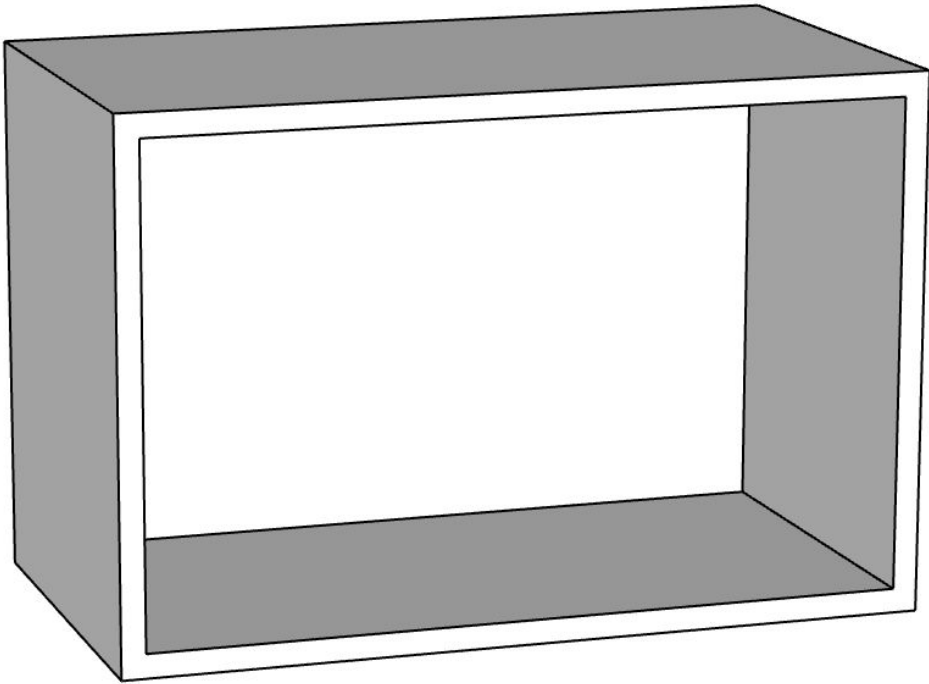
Item Number:	24
--------------	----

Notes.

# OPEN TOP BOX

NO HINGE  
DRILLINGS ON  
CARCASE

Height	400mm
Width	600mm
Depth	336mm



Aperture Height 1		Plinth Height	
Aperture Height 2		Carcase Rear Void	18mm
Aperture Height 3		External Finish	N/A
Door Material		Frame Type	N/A
Door Rails		External Colour	
Door Type		Internal Colour	EGGER H3190 ST19
Hinge Side		Shelf Colour	EGGER H3190 ST19

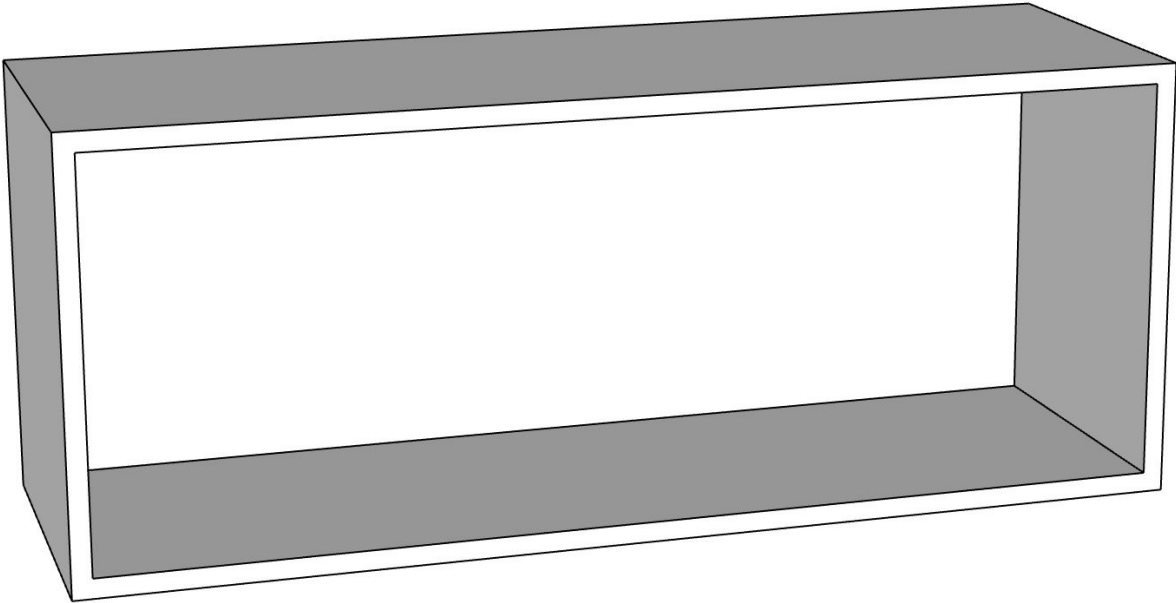
Item Number:	25
--------------	----

Notes.

# OPEN TOP BOX

NO HINGE  
DRILLINGS ON  
CARCASE

Height	400mm
Width	1000mm
Depth	336mm



Aperture Height 1		Plinth Height	
Aperture Height 2		Carcase Rear Void	18mm
Aperture Height 3		External Finish	N/A
Door Material		Frame Type	N/A
Door Rails		External Colour	
Door Type		Internal Colour	EGGER H3190 ST19
Hinge Side		Shelf Colour	EGGER H3190 ST19

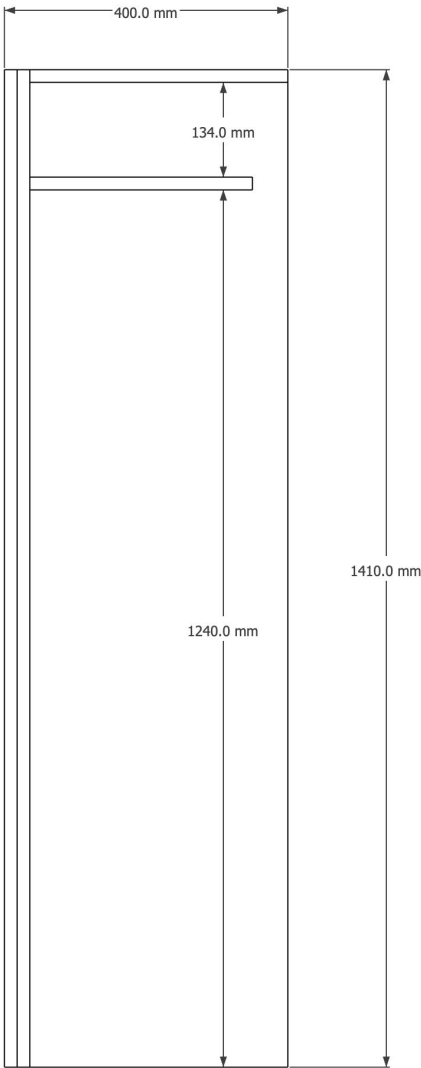
Item Number:	26
--------------	----

Notes.

# OPEN DRESSER

FIXED SHELF AT MEASUREMENTS SHOWN BELOW

Height	1410mm
Width	700mm
Depth	400mm



Aperture Height 1		Plinth Height	
Aperture Height 2		Carcase Rear Void	18mm
Aperture Height 3		External Finish	N/A
Door Material		Frame Type	N/A
Door Rails		External Colour	
Door Type		Internal Colour	EGGER H3190 ST19
Hinge Side		Shelf Colour	EGGER H3190 ST19

Item Number:	26
--------------	----

Notes.

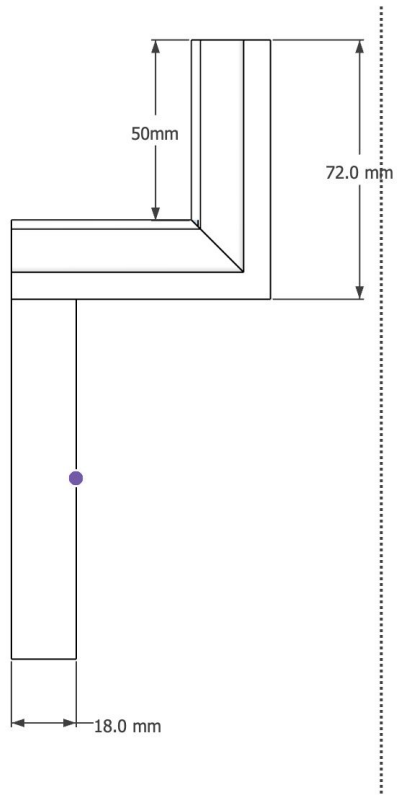
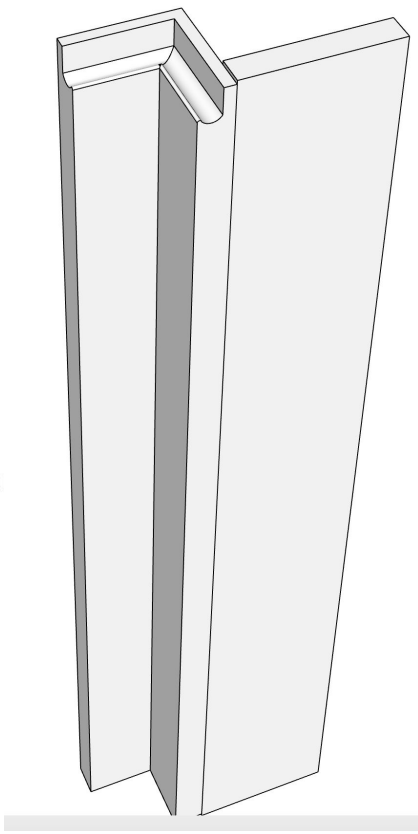
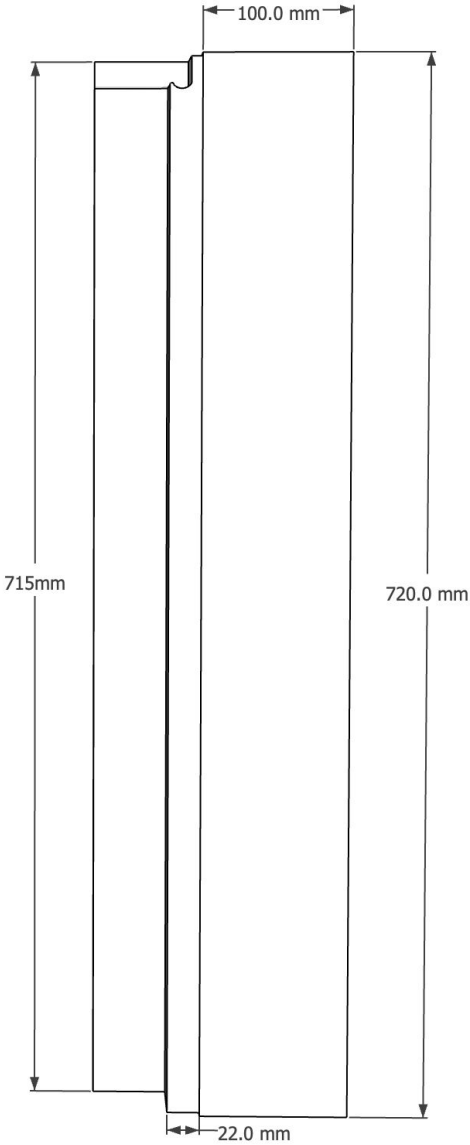
QUANTITY = 1

MADE TO MEASUREMENTS BELOW

J HANDLE GROOVE AT TOP

22mm MDF POST WITH 18mm EGGER RETURN

# CORNER POST



Aperture Height 1		Plinth Height	
Aperture Height 2		Carcase Rear Void	
Aperture Height 3		External Finish	SPRAYED MDF
Door Material		Frame Type	N/A
Door Rails		External Colour 1	
Door Type		External Colour 2	EGGER H3190 ST19
Hinge Side		Shelf Colour	

Item Number:	26
--------------	----

Notes.

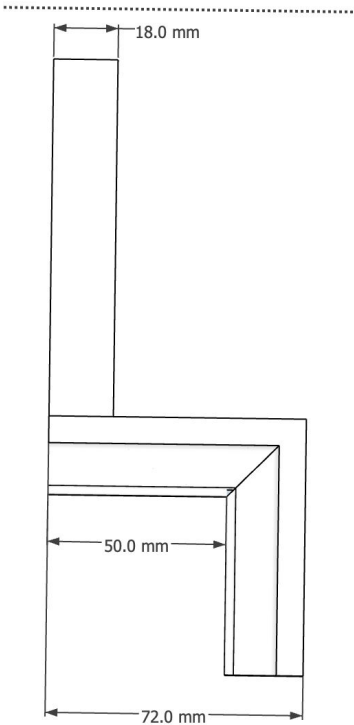
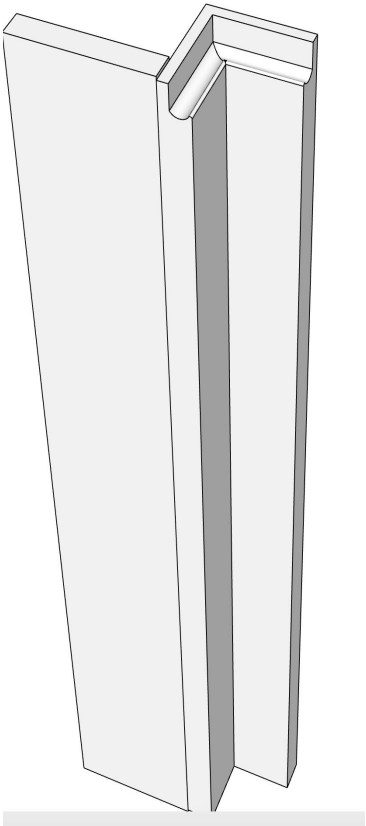
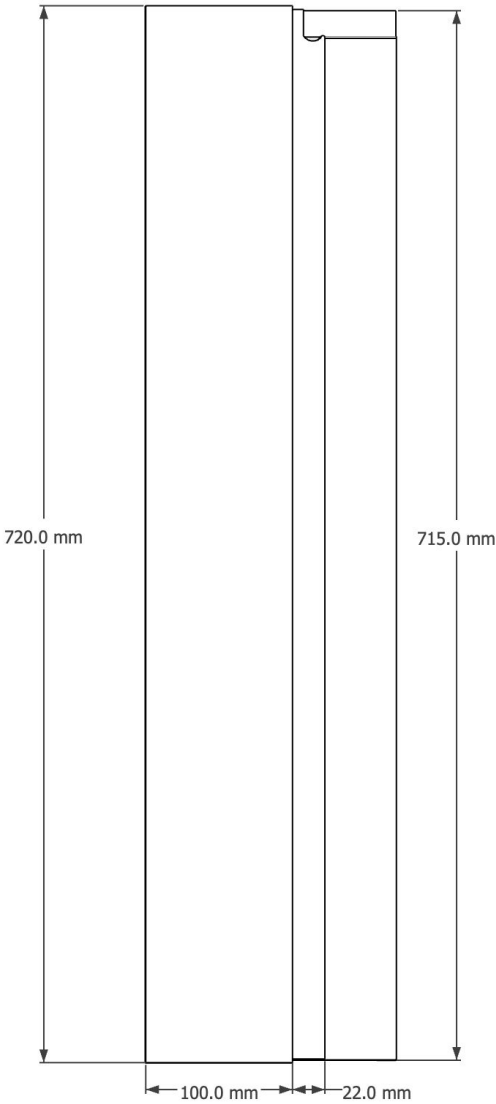
QUANTITY = 1

MADE TO MEASUREMENTS BELOW

J HANDLE GROOVE AT TOP

22mm MDF POST WITH 18mm EGGER RETURN

# CORNER POST



Aperture Height 1		Plinth Height	
Aperture Height 2		Carcase Rear Void	
Aperture Height 3		External Finish	SPRAYED MDF
Door Material		Frame Type	N/A
Door Rails		External Colour 1	
Door Type		External Colour 2	EGGER H3190 ST19
Hinge Side		Shelf Colour	



